



SUBMITTAL

TYPE: SSA ASME PRE-CHARGED SURGE ARRESTOR TANKS
MODELS: SSA 1000 TO SSA 20000

Submittal Sheet No. SSA-2016B

Date: Feb, 2016

JOB _____	AA tanks Representative _____
Unit Tag No. _____	Order No _____ Date _____
Engineer _____	Submitted By _____ Date _____
Contractor _____	Approved By _____ Date _____

DESCRIPTION

AA tanks Type SSA Tanks are ASME replaceable bladder type pre-charged hydro-pneumatic tanks for commercial, industrial, municipal and well water systems, to effectively control water hammer shock, and pump start-up/shut-down water surge. The vessels are fabricated between 125 PSI and 500 PSI rating with a large water system connection designed to accept potentially harmful water surge pressures quickly, with minimal pressure drop.

CONSTRUCTION

Shell: Carbon Steel
(Available in 403 / 316 Stainless Steel)
External Finish: Primer
(Can accomodate specified coatings)
System Connection: Epoxy Coated Carbon Steel
(Available in 304 / 316 Stainless Steel)
Level Gauge: Available upon request
Bladder: Heavy Duty Butyl
(NSF Certified / FDA Approved Materials)

PERFORMANCE LIMITATIONS

Maximum Design Pressure: 125 To 500 PSIG
Maximum Design Temperature: 240°

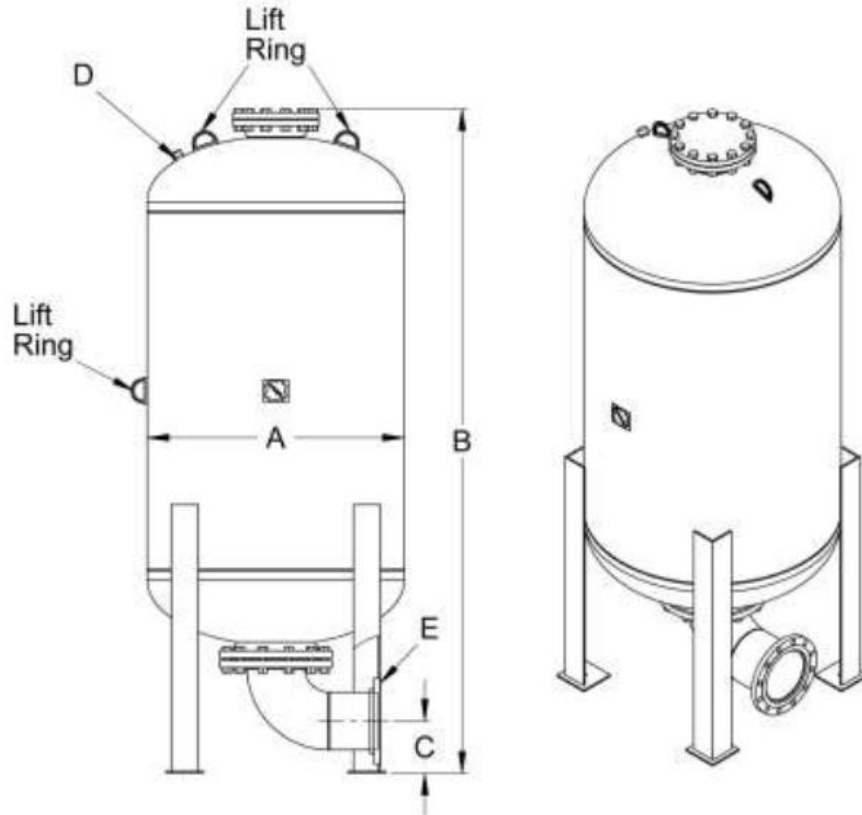
Model Number	Tank Volume (Gallons)	Tagging Information	Quantity
SSA 1000	264		
SSA 1200	317		
SSA 1400	370		
SSA 1600	422		
SSA 2000	528		
SSA 2500	660		
SSA 3000L	792		
SSA 3000S	792		
SSA 4000	1056		
SSA 5000	1320		
SSA 7500	1980		
SSA 10000	2640		
SSA 15000	3963		
SSA 20000	5284		

TYPICAL SPECIFICATION

Furnish and install, as shown on plans, a _____ gallon _____" diameter X _____" (high) pre-charged surge arrestor tank with heavy-duty butyl bladder. The tank shall have NPT, flanged or grooved system connections and a 0.302"-32 charging valve connection (standard tire valve) to facilitate the on-site charging of the tank to meet system requirements. The tank must be constructed in accordance with most recent addendum of Section VIII Division 1 of the ASME Boiler and Pressure Vessel Code.

Each tank shall be AA tanks model number SSA-_____ or approved equal.





DIMENSIONS & WEIGHTS

Model Number	Tank Volume Gallons	Dimensions in Inches					Approx. Shipping Weight (lbs)
		Diameter	OAL	C	Charging Valve	System Connection	
		A	B		D	E	
SSA 1000	264	36	96	TBD	0.302" -32NC	10F	830
SSA 1200	317		107				1118
SSA 1400	370		119				1330
SSA 1600	422	48	92				1713
SSA 2000	528		105				2026
SSA 2500	660		122				2352
SSA 3000L	792		138				2782
SSA 3000S	792	60	108				2965
SSA 4000	1056		133				3736
SSA 5000	1320		152				4485
SSA 7500	1980	72	165				6583
SSA 10000	2640		196				8068
SSA 15000	3963		217				12030
SSA 20000	5284	84	271		12F	16262	

NOTES:

- Tanks are factory pre-charged to 30 PSI and field adjustable.
- G-Grooved Pipe Connection / F-Flanged Connection (Available).
- Available with base ring with mounting clips.
- Davit Arm Available